

### Multi-Column Load Cell



#### FEATURES

- Rated capacities of 50,000 to 1,000,000 pounds
- Monolithic element design
- Exceptional sideloading tolerance
- Integral conduit adaptor
- Low profile
- *Sensorgage™* sealed to IP67 standards
- Factory Mutual System Approved for Classes I, II, III; Divisions 1 and 2; Groups A through G. Also, non-incendive ratings (No barriers!).

#### OPTIONAL FEATURES

- Alloy tool steel version available
- Compatible with Model 65092-TWA Weigh Module

#### DESCRIPTION

The 65094 is an ultra high capacity, alloy or stainless steel compression load cell.

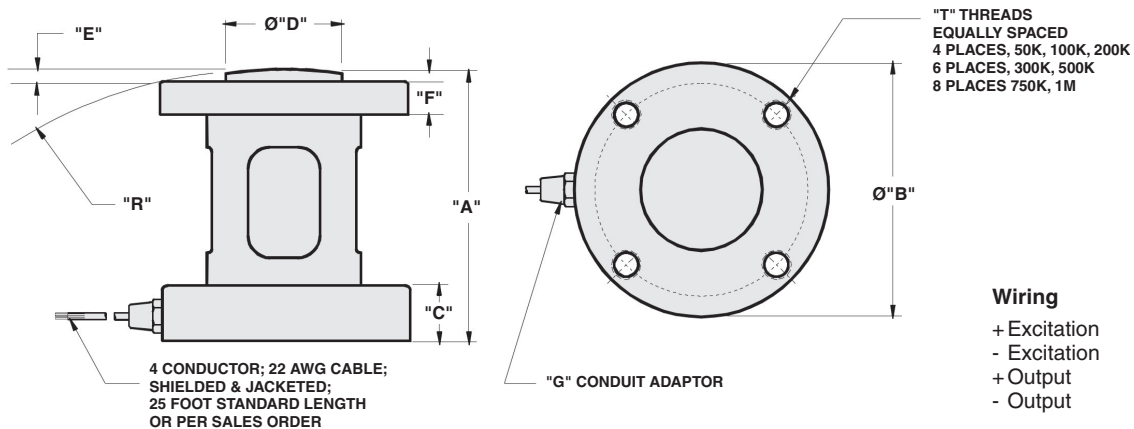
This product is specifically designed to be used in the 65092 tank weighing assembly and available in capacities up to 1 million lbs. In the 65092 assembly this load cell provides a simple solution to high capacity container weighing.

This Load cell is rated intrinsically safe by the Factory Mutual System (FM); making it suitable for use in potentially explosive environments.

#### APPLICATIONS

- Tank, bin and silo weighing
- Level and inventory monitoring
- High capacity loading

#### OUTLINE DIMENSIONS in inches



CAPACITY	A	B	C	D	E	F	R	T	G
50K	3.25	2.88	1.00	1.25	0.19	0.44	6.00	3/8-24 x .40 DP on a 2.13 B.C.	1/4-18 NPT
100K	5.00	3.94	1.25	2.31	0.25	0.75	6.00	1/2-20 x .88 DP on a 3.00 B.C.	1/2-14 NPT
200K	6.63	5.94	1.50	3.00	0.25	0.87	17.00	3/4-16 x .88 DP on a 5.00 B.C.	1/2-14 NPT
300K	7.00	5.94	1.75	3.00	0.25	1.00	17.00	3/4-16 x .88 DP on a 5.00 B.C.	1/2-14 NPT
500K	7.75	7.94	2.00	5.56	0.50	1.25	30.00	1-1/4-12 x 1.40 DP on a 6.00 B.C.	1/2-14 NPT
750K	12.00	10.94	3.00	5.97	0.50	2.00	50.00	1-1/2-12 x 2.0 DP on a 8.00 B.C.	1/2-14 NPT
1M	12.00	10.94	3.00	5.97	0.50	2.00	50.00	1-1/2-12 x 2.0 DP on a 8.00 B.C.	1/2-14 NPT

Capacities are in pounds.

## SPECIFICATIONS

PARAMETER	VALUE	UNIT
Rated capacity-R.C. ( $E_{max}$ )	50K, 100K, 200K, 300K, 500K, 750K, 1M	lbs
NTEP/OIML Accuracy class	Standard	
Maximum no. of intervals (n)	--	
Rated output-R.O.	2.0	mV/V
Rated output tolerance	0.25	±% mV/V
Zero balance	1.0	±% FSO
Combined error	0.10	±% FSO
Non-repeatability	0.01	±% FSO
Creep error (20 minutes)	0.03	±% FSO
Temperature effect on zero	0.0015	±% FSO/°F
Temperature effect on output	0.0008	±% of load/°F
Compensated temperature range	14 to 104 (-10 to 40)	°F (°C)
Operating temperature range	0 to 150 (-18 to 65)	°F (°C)
Storage temperature range	-60 to 185 (-50 to 85)	°F (°C)
Safe sideload	30	% of R.C.
Maximum safe central overload	150	% of R.C.
Ultimate central overload	300	% of R.C.
Excitation, recommended	10	Vdc or Vac rms
Excitation, maximum	18	Vdc or Vac rms
Input impedance	400 - 500	$\Omega$
Output impedance	349 - 355	$\Omega$
Insulation resistance at 50VDC	>1000	M $\Omega$
Material	Stainless steel	
Environmental protection	IP67	

\* Nickel plated alloy steel available

FSO - Full Scale Output

R.C. - Rated Capacity

All specifications subject to change without notice.

## Disclaimer

All product specifications and data are subject to change without notice.

Vishay Precision Group, Inc., its affiliates, agents, and employees, and all persons acting on its or their behalf (collectively, "Vishay Precision Group"), disclaim any and all liability for any errors, inaccuracies or incompleteness contained herein or in any other disclosure relating to any product.

Vishay Precision Group disclaims any and all liability arising out of the use or application of any product described herein or of any information provided herein to the maximum extent permitted by law. The product specifications do not expand or otherwise modify Vishay Precision Group's terms and conditions of purchase, including but not limited to the warranty expressed therein, which apply to these products.

No license, express or implied, by estoppel or otherwise, to any intellectual property rights is granted by this document or by any conduct of Vishay Precision Group.

The products shown herein are not designed for use in medical, life-saving, or life-sustaining applications unless otherwise expressly indicated. Customers using or selling Vishay Precision Group products not expressly indicated for use in such applications do so entirely at their own risk and agree to fully indemnify Vishay Precision Group for any damages arising or resulting from such use or sale. Please contact authorized Vishay Precision Group personnel to obtain written terms and conditions regarding products designed for such applications.

Product names and markings noted herein may be trademarks of their respective owners.